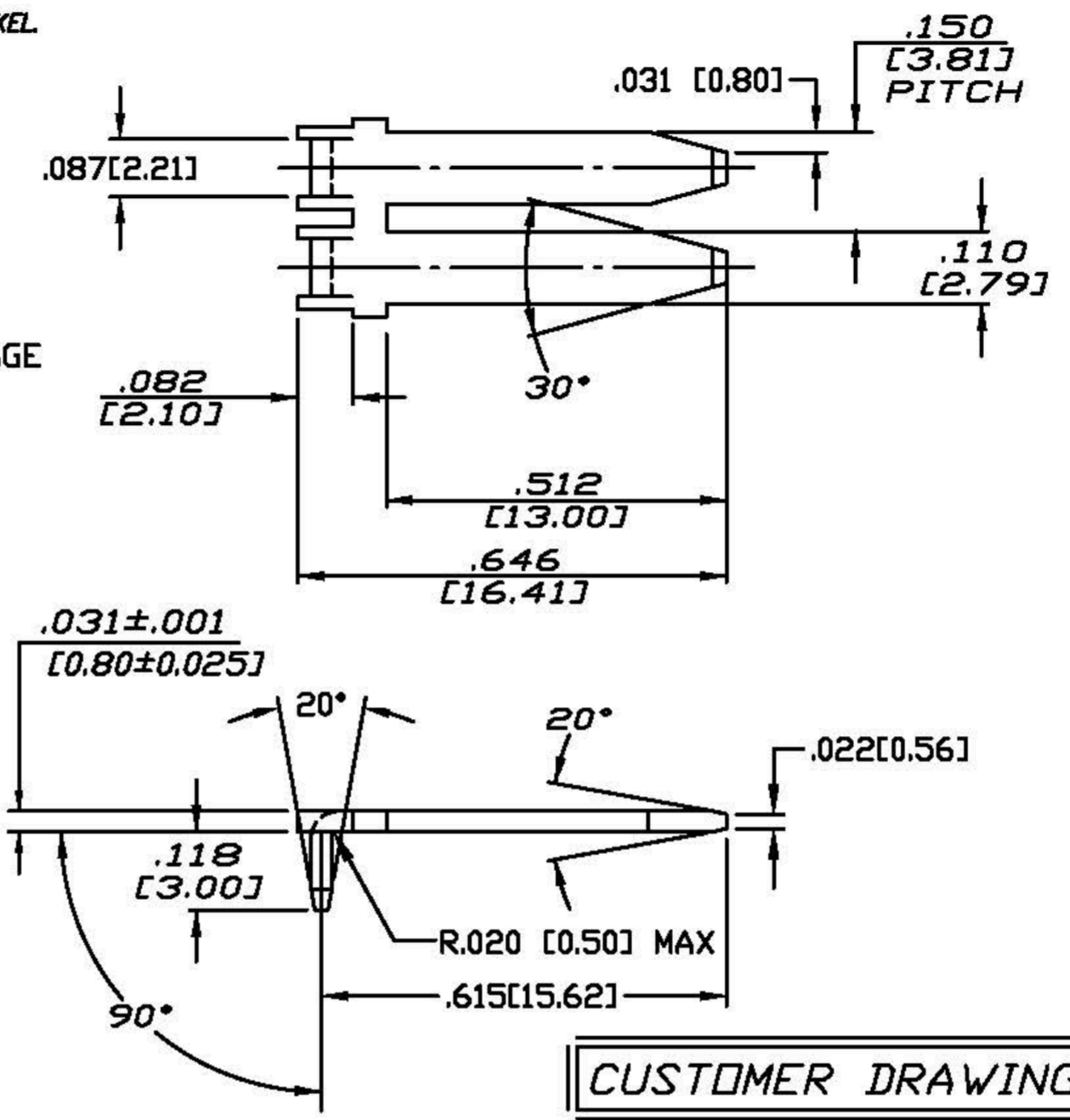
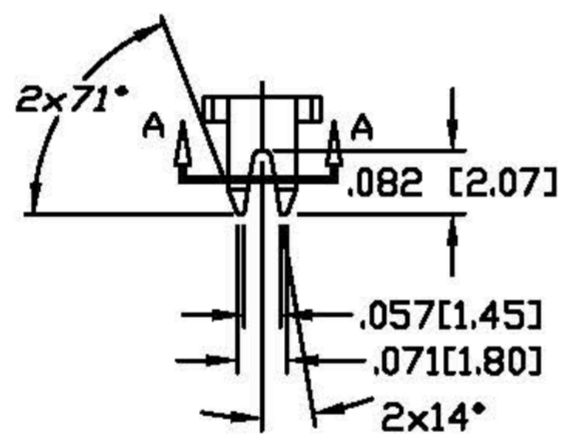
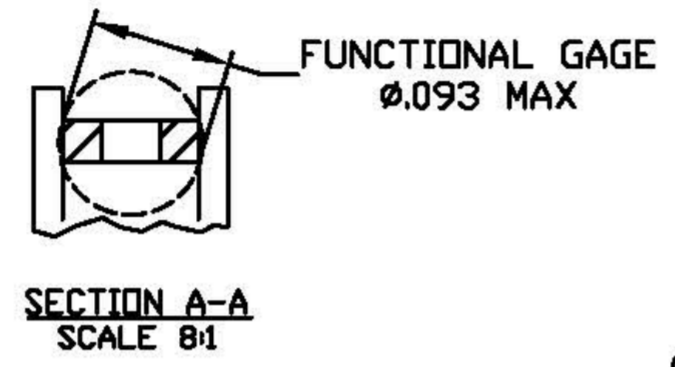
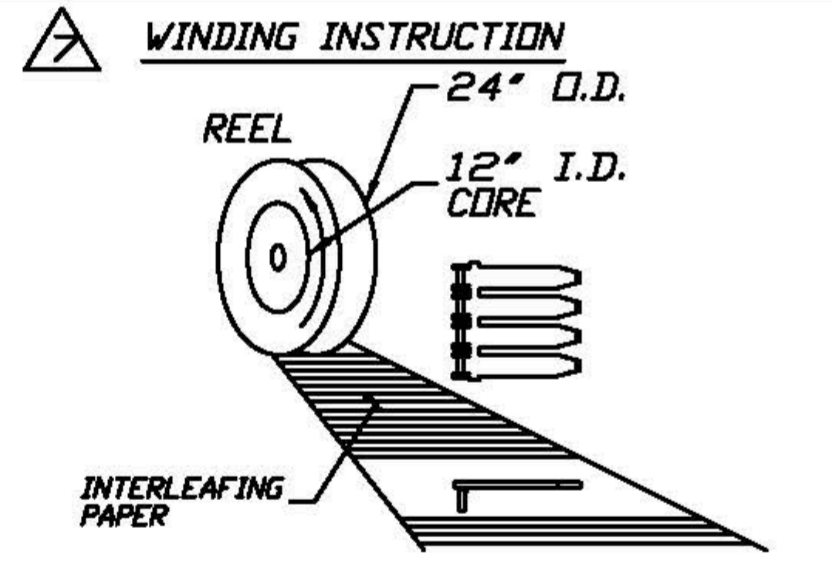
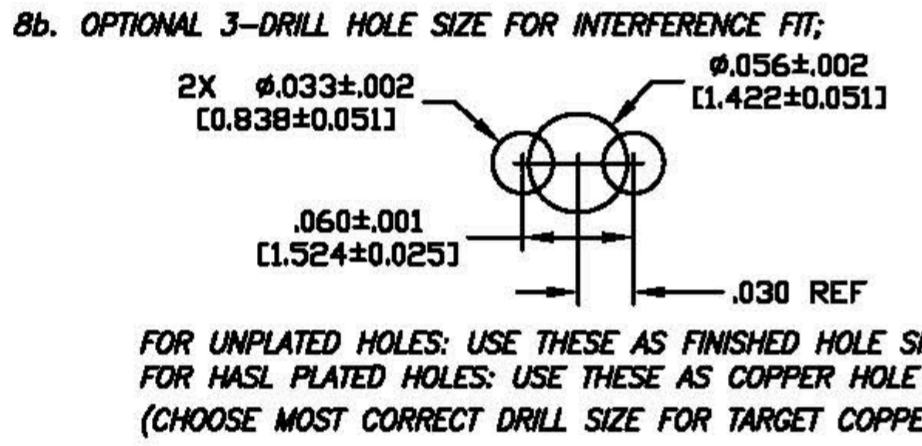
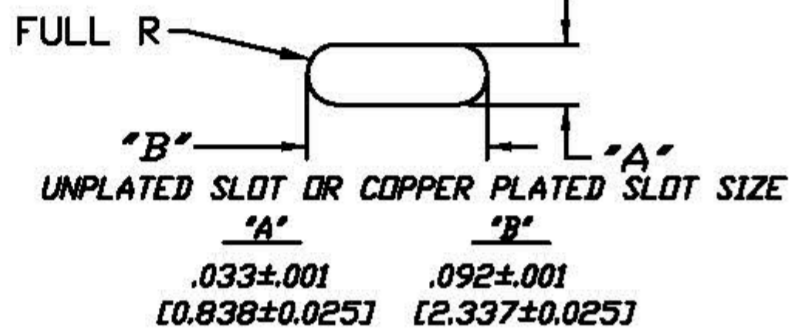


REVISIONS					
ECO	REV.	CHG.	DESCRIPTION	DATE	APPROVED
L1-0206-D-AF	A	-	INITIAL RELEASE	05-25-12	V. CERCONE

- NOTES: UNLESS OTHERWISE SPECIFIED**
- INTERPRET DRAWING IN ACCORDANCE WITH ANSI Y14.5-1982.
  - MATERIAL: C26000 BRASS, 1/2 HARD.
  - FINISH:
    - P/N 7-22950-8-1: POST-PLATED .000120" [0.0030] MIN 90/10 TIN-LEAD OVER .000050 [0.0010] MIN NICKEL.
    - P/N 7-22950-8-1TT: POST-PLATED .000160" [0.0041] MIN MATTE TIN (LEAD FREE) OVER .000080 [0.0031] MIN NICKEL.
  - ALL DIMENSIONS APPLY AFTER PLATING.
  - .004[0.10] MAX BLANKING BURR PERMISSIBLE. BURRS MUST NOT EXCEED THE SPECIFIED FEATURE TOLERANCE.
  - .005[0.13] MAX RADII & FILLETS PERMISSIBLE ON ALL CORNERS.

△ QUANTITY OF PARTS PER REEL: 7,000±15%, PACKAGE PER AUTOSPlice SPEC 0049.  
 8a. RECOMMENDED ROUTED SLOT SIZE FOR INTERFERENCE FIT;



	AUTOSPlice TERMINAL PART #	MEI TERMINAL PART #
Pb	7-22950-8-1	9041964
Pb FREE	7-22950-8-1TT	9042765A

This drawing and the information set forth hereon are the property of AutosplICE, Inc. and are to be held in trust and confidence. Publication, duplication, disclosure, or use for any purpose not expressly authorized in writing by AutosplICE, Inc. is prohibited.

MATERIAL  
 SEE NOTE 2

FINISH  
 SEE NOTE 3

TOLERANCES UNLESS OTHERWISE SPECIFIED OR IN REEL DIM

DECIMAL: XX = ±.01	[X.X] = ±[0.3]	.XXX = ±.005	[X.XX] = ±[0.13]
ANGULAR: ±5°			

◇ DENOTES SPECIAL CHARACTERISTIC

SCALE: 4:1

**autosplICE** AUTOSPlice INC. 10121 Barnes Canyon Road San Diego, California 92121 (619) 535-0077

THIRD ANGLE PROJECTION

DRAWN BY: MEJIA DATE: 3-28-96  
 APPROVED BY: BIANCA DATE: 3-28-96

TITLE: AUTOTAB TERMINAL

SIZE: B FSCM NO.: 0AE89 DRAWING NUMBER: C7-22950-8-1[1] REV. J  
 CAD FILE NO.: C7-22950-8-1001.dwg SHEET 1 OF 1

CUSTOMER DRAWING

**MAGNA ELECTRONICS**

PROPRIETARY AND CONFIDENTIAL  
 THE INFORMATION CONTAINED IN THIS DRAWING IS THE SOLE PROPERTY OF MAGNA ELECTRONICS. ANY REPRODUCTION IN PART OR AS A WHOLE WITHOUT THE WRITTEN PERMISSION OF MAGNA ELECTRONICS IS PROHIBITED.

THIRD ANGLE PROJECTION

NAME	DATE
DRAWN: RN	05-25-12
CHECKED: KN	05-25-12
CHECKED: XX	XX-XX-XX
ENG APPR.: VC	05-25-12
MFG APPR.: XX	XX-XX-XX

UNLESS OTHERWISE SPECIFIED:  
 DIMENSIONS ARE IN MILLIMETERS  
 TOLERANCES:  
 ANGULAR: ±1.0°  
 ONE PLACE DECIMAL: ±0.20  
 TWO PLACE DECIMAL: ±0.10

INTERPRET GEOMETRIC TOLERANCING PER: ASME 14.5M

MATERIAL: SEE DETAILS  
 FINISH:  
 DO NOT SCALE DRAWING

MAGNA ELECTRONICS	
TITLE: AUTOTAB TERMINAL	
SIZE: A2	DWG. NO.: 9042765
SCALE: NA	WEIGHT:
SHEET 1 OF 1	