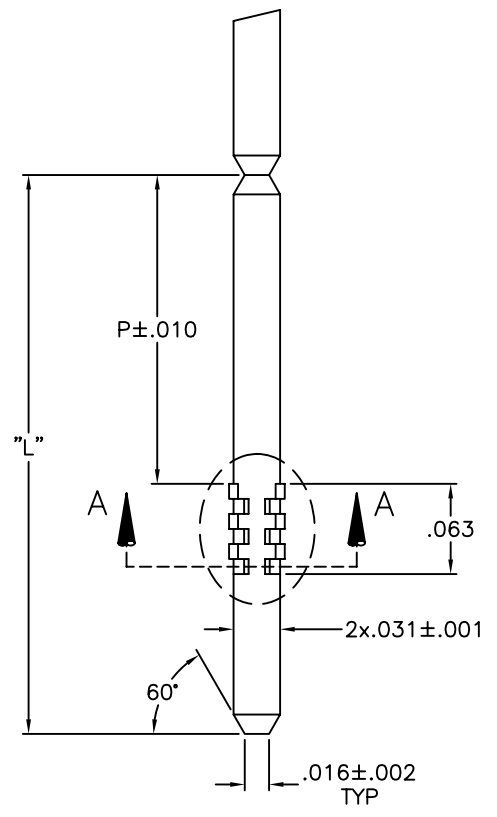
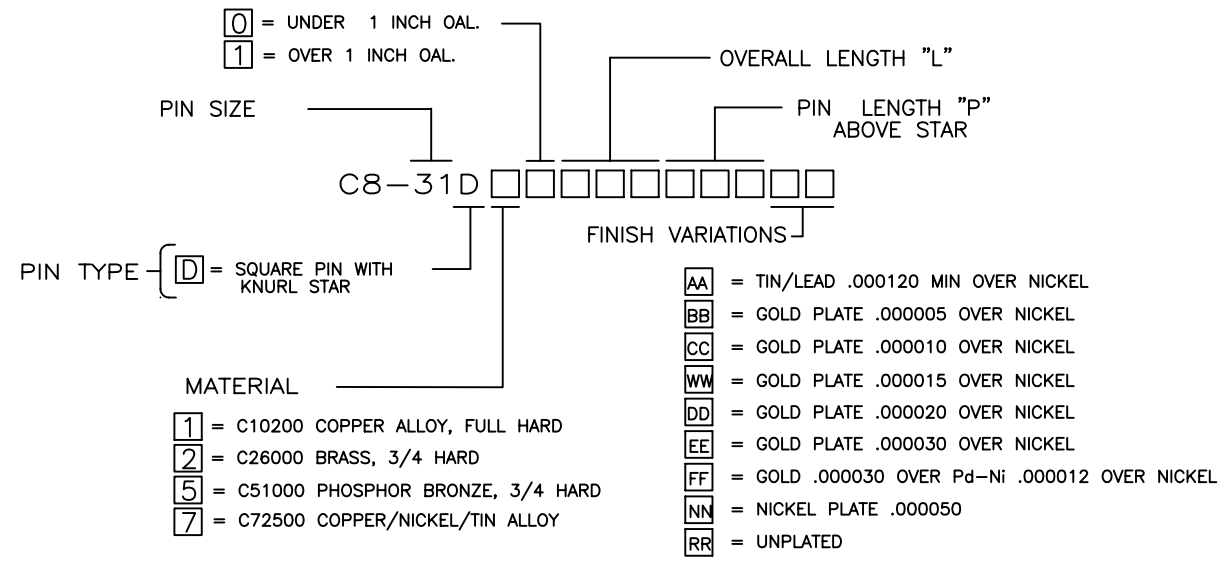


REV	REVISION RECORD	ECN	BY	APVD	DATE
A	INITIAL RELEASE	14183	MAC	JB	8-26-96
B	PER ECN 14471	14471	MAC	JB	10-4-96
C	PER EWR 990427	10632	TM	JB	7-18-98
D	ADD MATERIALS PER ECN 501388	501388	RJB	RJB	6-27-99
E	UPDATE PER EWR 106570	505814	RJB	RJB	7-18-99

NOTE: UNLESS OTHERWISE SPECIFIED

1. INTERPRET DRAWING IN ACCORDANCE WITH ANSI Y14.5-1982.
2. REMOVED
3. PITCH CONSISTENCY TO BE WITHIN ±.005 OVER 3.000 INCHES.
- ⚠ PART TO BE SUPPLIED ON A CONTINUOUS REEL.
5. ALL DIMENSIONS APPLY AFTER PLATING.

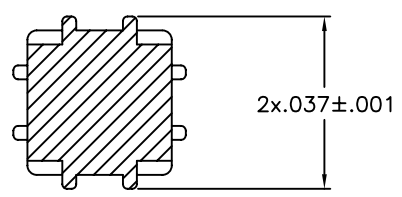
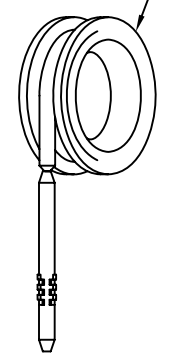
PART NUMBER BREAKDOWN



PIN WITH KNURL

CUSTOMER DRAWING

⚠ REELING ORIENTATION  
 AP/2 REEL  
 (24" O.D. x 20" I.D.)



SECTION A-A

This drawing and the information set forth herein are the property of Autosplice, Inc. and are to be held in trust and confidence. Publication, duplication, disclosure, or use for any purpose not expressly authorized in writing by Autosplice, Inc. is prohibited.

ALL DIMENSIONS ARE IN INCHES	AUTOSPLICE INC. 10121 Barnes Canyon Road San Diego, California 92121 (619) 535-0077	
DECIMAL: XX = ±.01 XXX = ±.005	THIRD ANGLE PROJECTION	DRAWN BY <b>MAC M</b> DATE 8-29-96
ANGULAR: ±3°	APPROVED BY <b>J BIANCA</b> DATE 8-26-96	TITLE <b>AUTOPIN/2 DETAIL PART DRAWING</b>
SIZE C   FSCM NO. 0AE89   DRAWING NUMBER C8-31D	SCALE: NONE	CAD FILE NO. C8-31DXXXXE.DWG
		REV. E   SHEET 1 OF 1