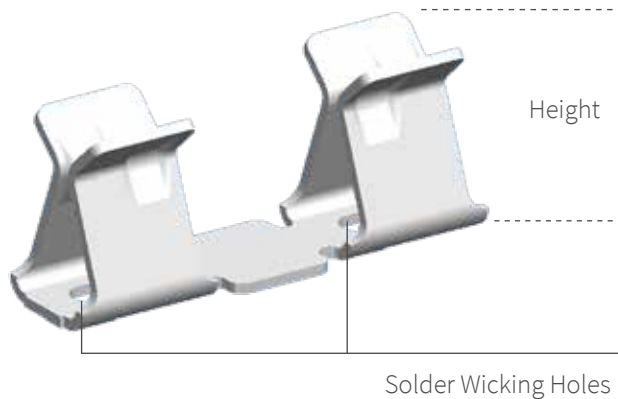


COMPACT SHIELD CLIP SPECIFICATIONS

TYPE	PART NUMBER	SHIELD THICKNESS	SOLDER WICKING HOLES	HEIGHT	QTY PER REEL	BASE MATERIAL	PLATING	PAD SIZE	PICK UP LOCATION
Compact	7-88-70001-1	.006" ± .003" [.015 ± .08]	No	.050" [1.28]	10K	Stainless Steel	Preplated matte Sn oven Nickel RoHs	.035" x .264" [0.90 x 6.70]	Bottom

SPECIFICATIONS:

- LIFE CYCLE: 10 actuations minimum
- OPERATING TEMPERATURE: -40°C to 105°C at 85% RH
- SOLDERABILITY: Per Mil-STD-202, Method 208
- PASTE RECOMMENDATIONS THICKNESS: .006" - .008" [0.15 - 0.2]



BOTTOM PICK UP

AUTHORIZED DISTRIBUTORS



800. 325. 0534 | sales@keiconn.com



www.hiscoinc.com | +1 877. 447. 2650 | info@hiscoinc.com