

NOTES: UNLESS OTHERWISE SPECIFIED

1. INTERPRET DRAWING IN ACCORDANCE WITH ANSI Y14.5-1982.

2. PART NUMBER EXAMPLE:

8-25920770630AA

ABOVE STAR LENGTH .630[16.00]

OVERALL LENGTH .770[19.56]

3 PART TO BE SUPPLIED ON A CONTINUOUS REEL AS SHOWN.

4. RECOMMENDED P.C. BOARD THICKNESS:  
.062/.093±.005[1.57/2.36±0.13]

5. RECOMMENDED P.C. BOARD HOLE SIZE:

CONFORMING

DRILL HOLE:  $\phi.042 \pm .002$ [1.07±0.05]

W/1oz Cu PLATING:  $\phi.039 \pm .003$ [0.99±0.08]

FINISH W/ SnPb:  $\phi.038 \pm .005$ [0.96±0.13]

COMPLIANT

DRILL HOLE:  $\phi.042 \pm .001$ [1.07±0.03]

W/1oz Cu PLATING:  $\phi.039 \pm .002$ [0.99±0.05]

FINISH W/ SnPb:  $\phi.038 \pm .003$ [0.96±0.08]

COMPLIANT W/ WIRE-WRAP

DRILL HOLE:  $\phi.039 \pm .001$ [0.99±0.03]

W/1oz Cu PLATING:  $\phi.036 \pm .002$ [0.91±0.05]

FINISH W/ SnPb:  $\phi.035 \pm .003$ [0.89±0.08]

PART NUMBER BREAK-DOWN

0 = UNDER 1"  
1 = OVER 1"

8-2592

PIN SIZE .025  
9 = EYE OF NEEDLE SQUARE

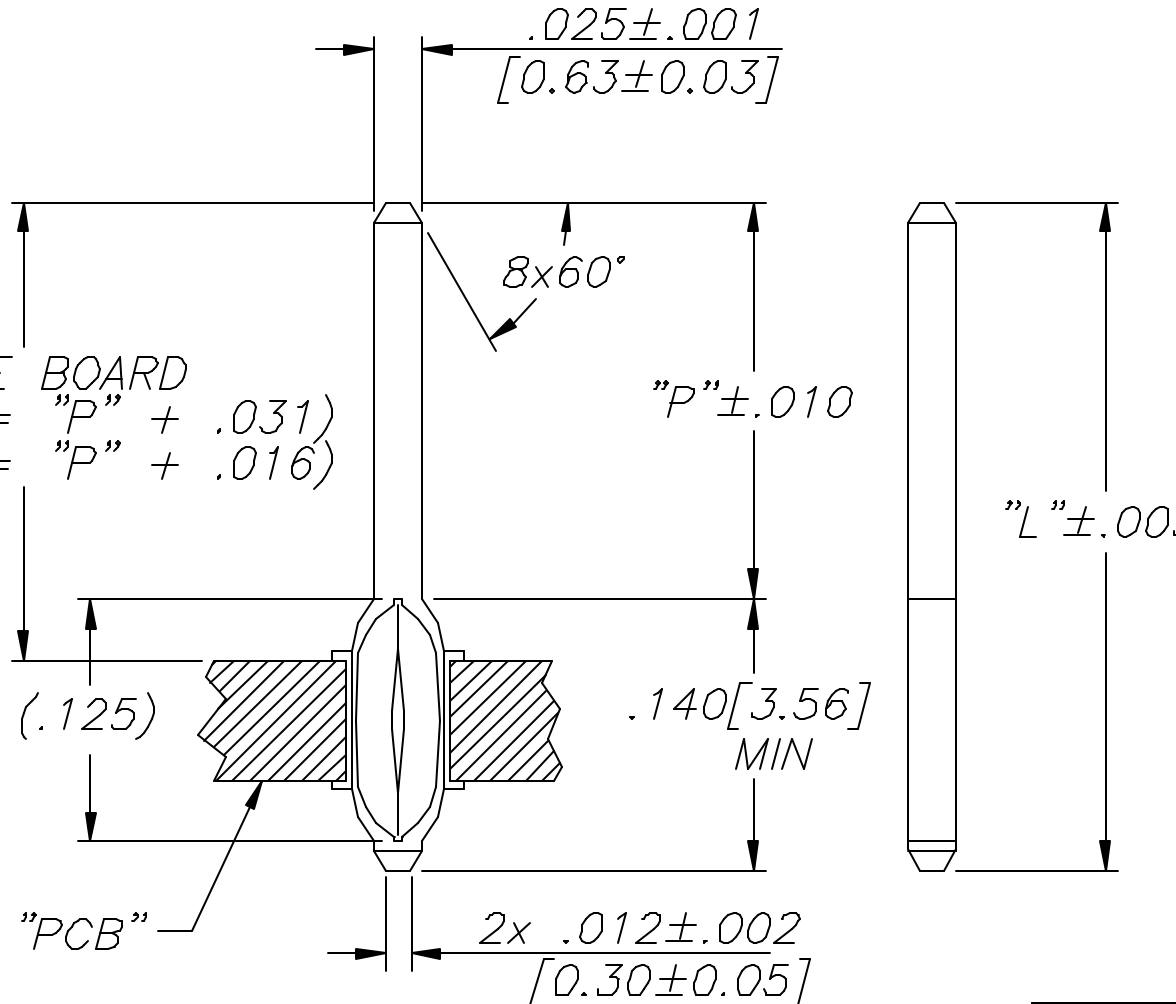
MATERIAL

OVERALL LENGTH "L"

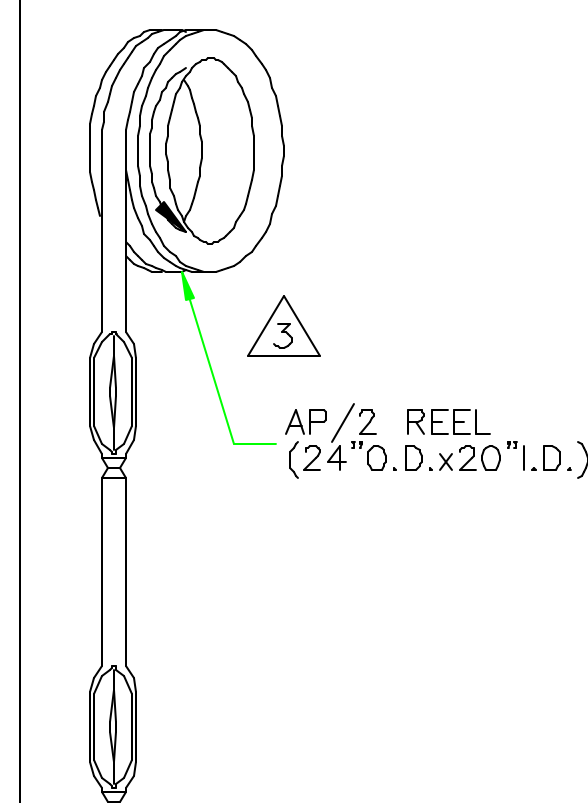
ABOVE STAR LENGTH "P"

- AA = .000120 TIN/LEAD OVER .000050 NICKEL
- BB = .000003-.000005 GDLD OVER .000050 NI
- CC = .000010 GOLD OVER .000050 NICKEL
- DD = .000020 GOLD OVER .000050 NICKEL
- EE = .000030 GOLD OVER .000050 NICKEL
- WW = .000015 GOLD OVER .000050 NICKEL

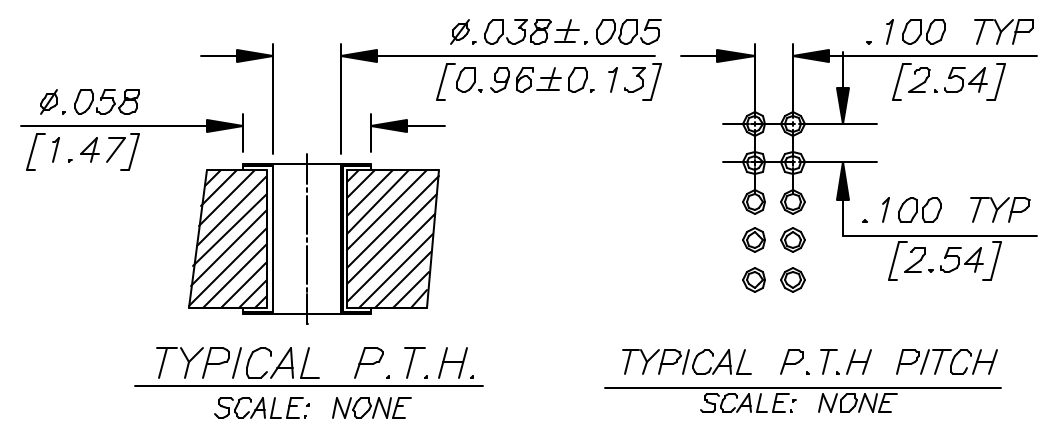
REV	REVISION RECORD	ECN	BY	APVD	DATE
B	PER ECN 13921	13921	MAC		6-06-96
C	PER EWR 990395	16578	JB	JB	6-21-96
D	UPDATE PER ECN 502113	502113	RJB	RJB	6-10-02



WINDING INSTRUCTION



CUSTOMER DRAWING



This drawing and the information set forth hereon are the property of AutosplICE, Inc. and are to be held in trust and confidence. Publication, duplication, disclosure, or use for any purpose not expressly authorized in writing by AutosplICE, Inc. is prohibited.

MATERIAL:  
COPPER ALLOY

FINISH:  
SEE PART NUMBER BREAK DOWN

TOLERANCES  
DIMS IN INCHES

DECIMAL: MM = [ ]  
XX = ±.02[0.5]  
XXX = ±.010[0.25]

ANGULAR:  
±3'

**autosplICE** © AUTOSPLICE INC.  
10121 Barnes Canyon Road  
San Diego, California 92121  
(619) 535-0077

THIRD ANGLE PROJECTION

DRAWN BY **MAC** DATE **8-28-95**  
ENGINEERED BY **BIANCA** DATE **8-28-95**

TITLE: **.025 SQ CONFORMING/COMPLIANT PIN**

SIZE	FSCM NO.	DRAWING NUMBER	REVISION
B	OAE89	C8-2592	D

SCALE: NONE CAD FILE NO. C08-2592XXD.DWG SHEET 1 OF 1