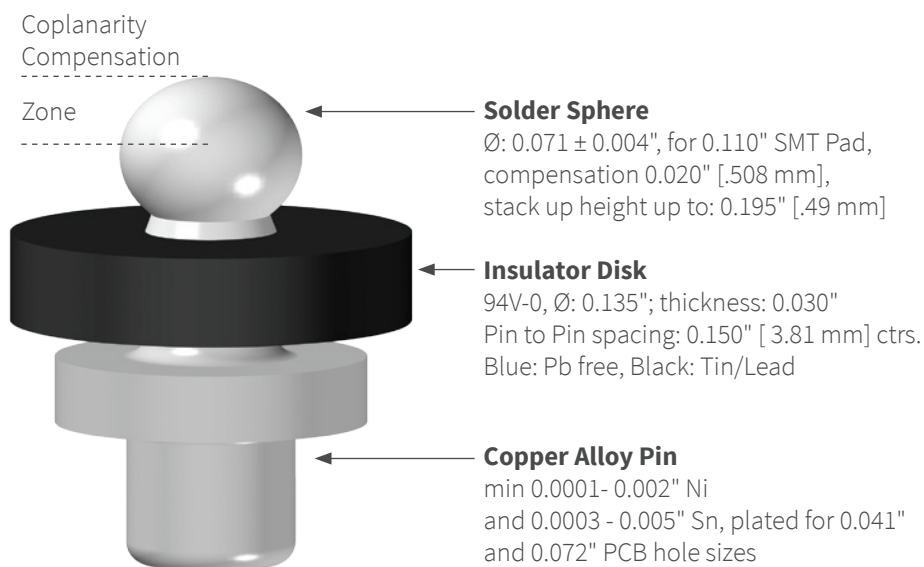


MIDI SOLDERBALL PIN SPECIFICATIONS

| PART NUMBER | QTY PER REEL | TAIL CONFIGURATION | PIN SIZE DIAMETER | STACK HEIGHT | TAIL LENGTH | SOLDERBALL DIAMETER | RoHS COMPLIANT |
|---------------|--------------|--------------------|-------------------|--------------|--------------|---------------------|----------------|
| 9-B15941AATTA | 1,500 | Tapered | .059" [1.50] | .100" [2.54] | .034" [0.86] | .071" [1.80] | Tin Lead |
| 9-B15941AATTT | 1,800 | Tapered | .059" [1.50] | .100" [2.54] | .034" [0.86] | .071" [1.80] | Yes |
| 9-B15941BCTTT | 1,500 | Tapered | .059" [1.50] | .130" [3.30] | .045" [1.14] | .071" [1.80] | Yes |

MECHANICAL SPECIFICATIONS:

- PIN TERMINAL: High Conductivity Copper Alloy
- SOLDER SPHERE: RoHs Compliant SAC Alloy or Tin/Lead
- PACKAGING: STD 16 mm Tape & Reel per Spec EIA-481
- PICK & PLACE: Pin Trough Paste Via Standard SMT Equipment



AUTHORIZED DISTRIBUTORS



Casey Donovan | 800. 325. 0534 | cdonovan@keiconn.com



www.hiscoinc.com | +1 877. 447. 2650 | info@hiscoinc.com

NOTES: UNLESS OTHERWISE SPECIFIED

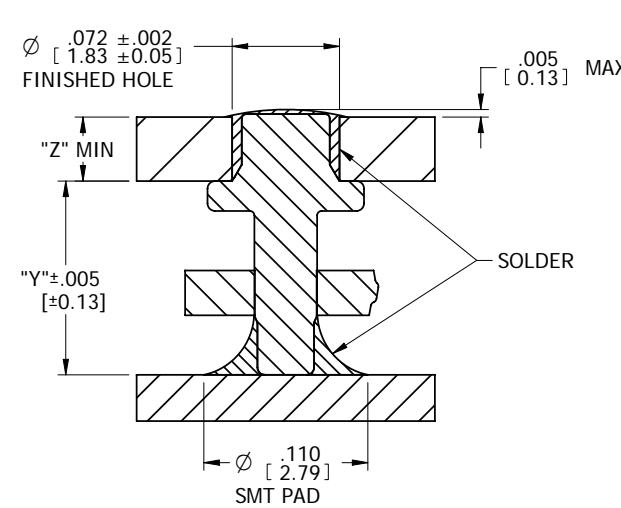
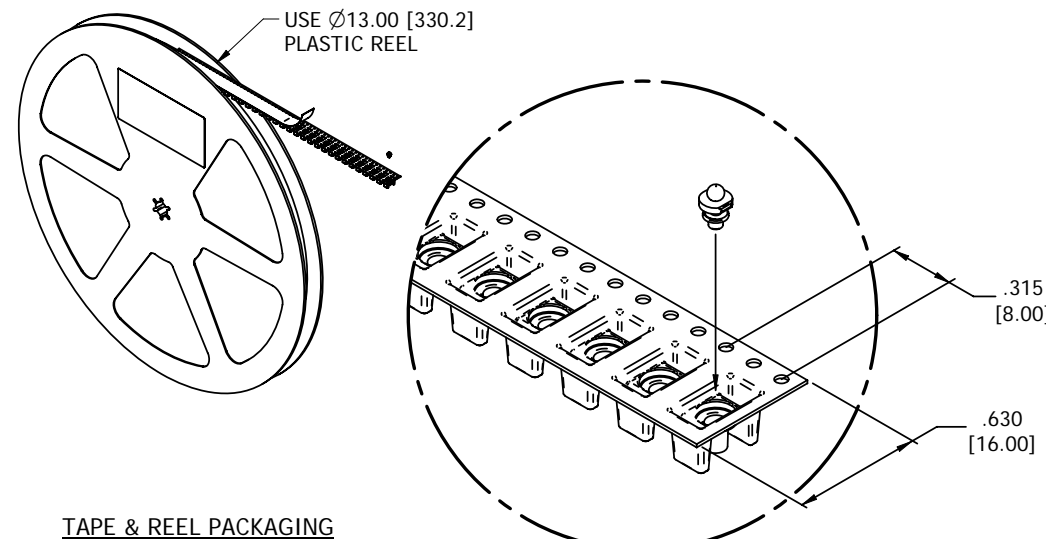
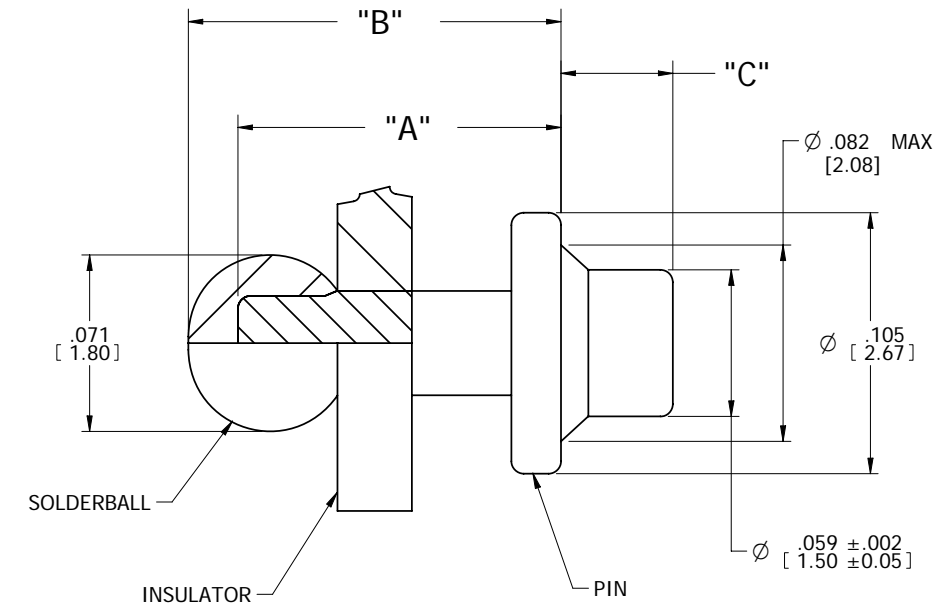
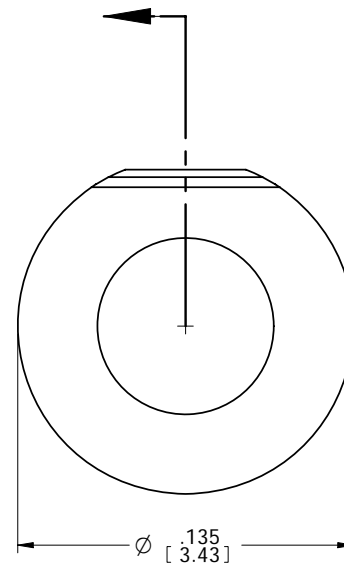
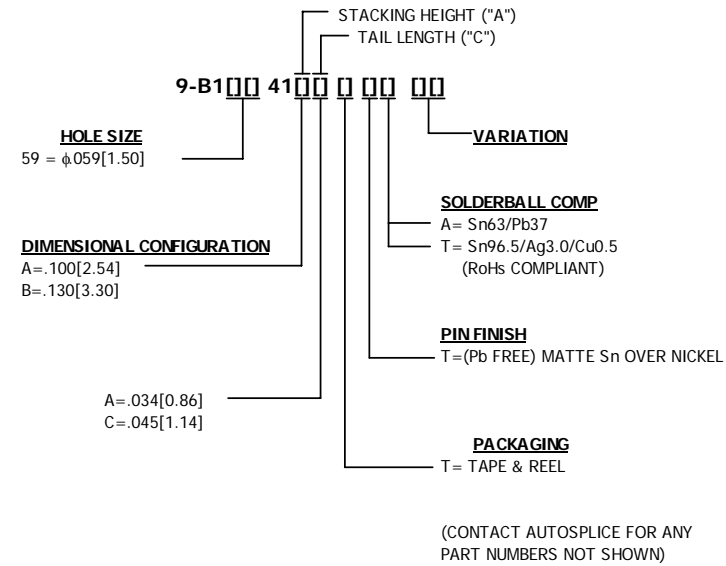
- 1) INTERPRET DRAWING IN ACCORDANCE WITH ASME Y14.5M -1994
- 2) PARTS TO BE PACKAGED IN TAPE & REEL PER EIA STD-481
- 3) MATERIALS: PIN= COPPER; INSULATOR= FR-4 GLASS EPOXY; SOLDERBALL MATERIAL= SnPb (BLACK) & Pb FREE (BLUE)
- 4) RECOMMENDED PICK HEIGHT: .025 [0.64] FROM TOP OF POCKET
- 5) SOLDERABILITY PER IPC/EIA J-STD-002, TEST A, CATEGORY 3
- 6) PREPROCESSED COPPER PIN TO BE PLATED WITH .000300"- .000500" [0.0076-0.0127] THICK MATTE Sn (Pb FREE) OVER .000100"- .000200" [0.0025-0.0051] Ni, INSPECTED PER AUTOSPICE WORK INSTRUCTION 4.10-14 REV 'A'.

PART NUMBER LIST

| PART NUMBER | "A" | "B" | "C" | "Y" | "Z" | INSULATOR COLOR | QTY/REEL |
|---------------|----------------|--------------------------|--------------------------|----------------|----------------|-----------------|----------|
| 9-B15941AATTA | .100 [2.54] | .120±.007 [3.05±0.18] | .034±.003 [0.86±0.05] | .105 [2.67] | .032 [0.81] | BLACK | 1800±15% |
| 9-B15941AATTT | .100 [2.54] | .120±.007 [3.05±0.18] | .034±.003 [0.86±0.05] | .105 [2.67] | .032 [0.81] | BLUE | 1800±15% |
| 9-B15941BCTTT | .130 [3.30] | .150±.007 [3.81±0.18] | .045±.003 [1.14±0.05] | .135 [3.43] | .038 [0.97] | BLUE | 1500±15% |

| REV | REVISION RECORD | ECN | BY | APVD | DATE |
|-----|------------------------------|--------|-----|------|----------|
| A | INITIAL RELEASE | 505124 | HR | PVB | 01/23/07 |
| B | CHANGE PLATING PER EWR106140 | 505527 | HR | PVB | 09/04/08 |
| C | CHANGE PER EWR106356 | 505682 | DJA | HR | 01/30/09 |
| D | ADD PLATING NOTE EWR106568 | 505810 | RJB | PVB | 07/10/09 |

PART NUMBER BREAKDOWN



CUSTOMER DRAWING

The drawing and the information set forth hereon are the property of Autosplice, Inc. and are to be held in trust and confidence. Publication, disclosure, or use for any purpose not expressly authorizing in writing by Autosplice, Inc. is prohibited.

| | | | |
|---|--|----------------------------|--|
| TOLERANCES UNLESS OTHERWISE SPECIFIED DIMENSIONS IN INCHES (mm) | DECIMAL: .XX = ±.01 [X.X] = ±[0.3] .XXX = ±.005 [X.XX] = ±[0.13] ANGULAR: ± 5° | THIRD ANGLE PROJECTION | Autosplice, Inc. 10121 Barnes Canyon Rd. San Diego, CA 92121-2725 858-533-0077 |
| DATE: 9/24/07 | DRAWN BY: H.R. | ENGINEERED BY: H. REYNOLDS | DATE: 9/24/07 |
| TITLE: STD SOLDERBALL PIN ASSEMBLY (.072 DIA HOLE) | SIZE: C | DRAWING NUMBER: OAE89 | REVISION: D |
| SCALE: 20:1 | CAD NO: C9-B15941 | MODEL NO: C9-B15941 | SHEET 1 OF 1 |