

4

3

2

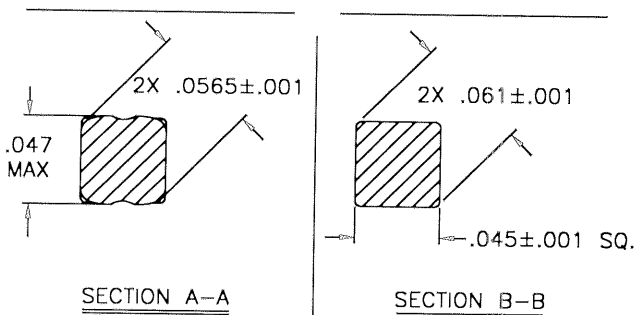
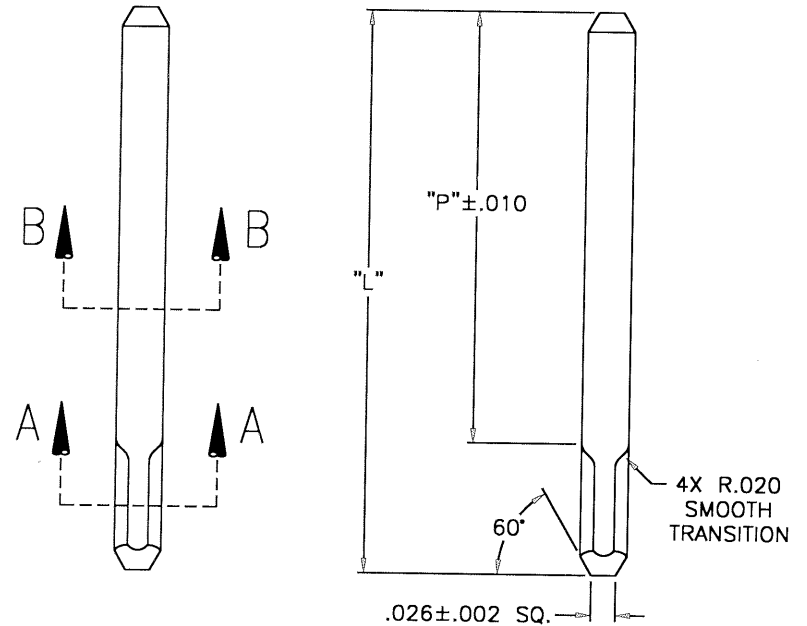
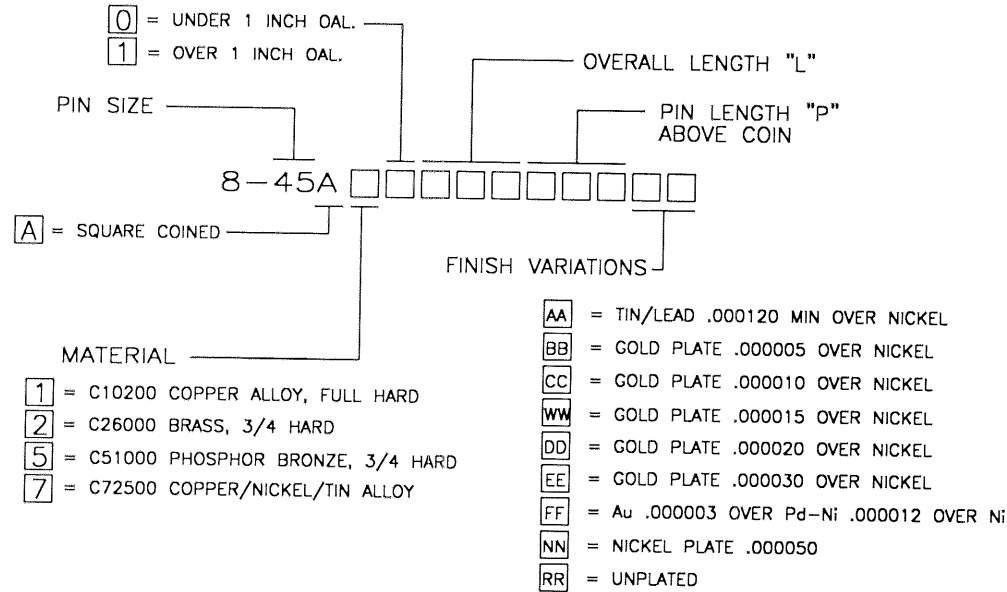
1

NOTE: UNLESS OTHERWISE SPECIFIED

- 1. INTERPRET DRAWING IN ACCORDANCE WITH ANSI Y14.5-1982.
- 2. REMOVED
- 3. PITCH CONSISTENCY TO BE WITHIN ±.005 OVER 3.000 INCHES.
- △ PART TO BE SUPPLIED ON A CONTINUOUS REEL.
- 5. ALL DIMENSIONS APPLY AFTER PLATING.

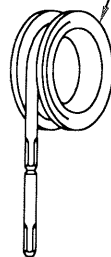
REV	REVISION RECORD	ECN	BY	APVD	DATE
A	INITIAL RELEASE	14655	JMc	PVB	02-11-97
B	ADDED DIM 4X R.020.	16147	CVD	PVB	02-09-99
C	TOLERANCES PER EWR 100952	501238	RJB	RJB	01-17-01

### PART NUMBER BREAKDOWN



SQUARE COINED DETAIL

△ REELING ORIENTATION  
AP/2 REEL  
(24" O.D. x 20" I.D.)



CUSTOMER DRAWING

This drawing and the information set forth hereon are the property of AutosplICE, Inc. and are to be held in trust and confidence. Publication, duplication, disclosure, or use for any purpose not expressly authorized in writing by AutosplICE, Inc. is prohibited.

TOLERANCES UNLESS OTHERWISE SPECIFIED DIMS IN INCHES	
DECIMAL:	XX = ±.01 XXX = ±.005
ANGULAR:	±5°

<b>autosplICE</b> 10121 Barnes Canyon Road San Diego, California 92121 (619) 535-0077	
DESIGNED BY	J Mc
CHECKED BY	PVB
DATE	02-11-97
TITLE AUTOPIN/2 DETAIL PART DRAWING	
SIZE	C
PTRN NO.	0AE89
REVISE NUMBER	C8-45A
SCALE	NONE
CD FILE NO.	C8-45AXXXC.DWG
SHEET	1 OF 1

4

3

2

1