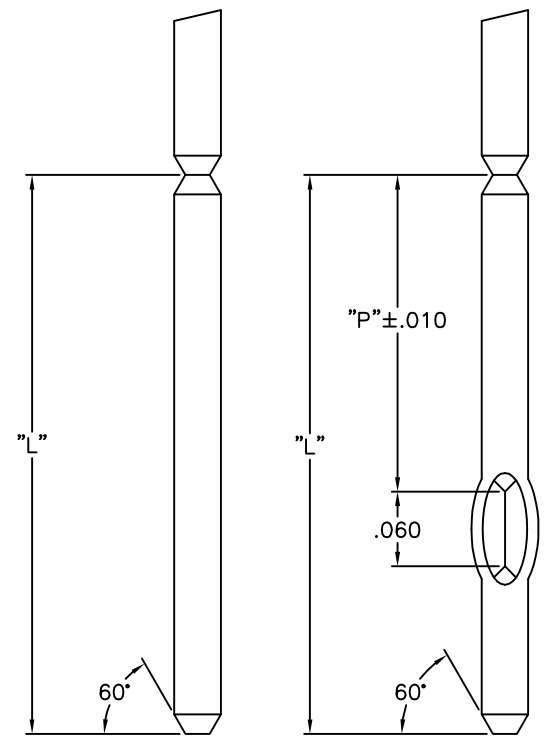
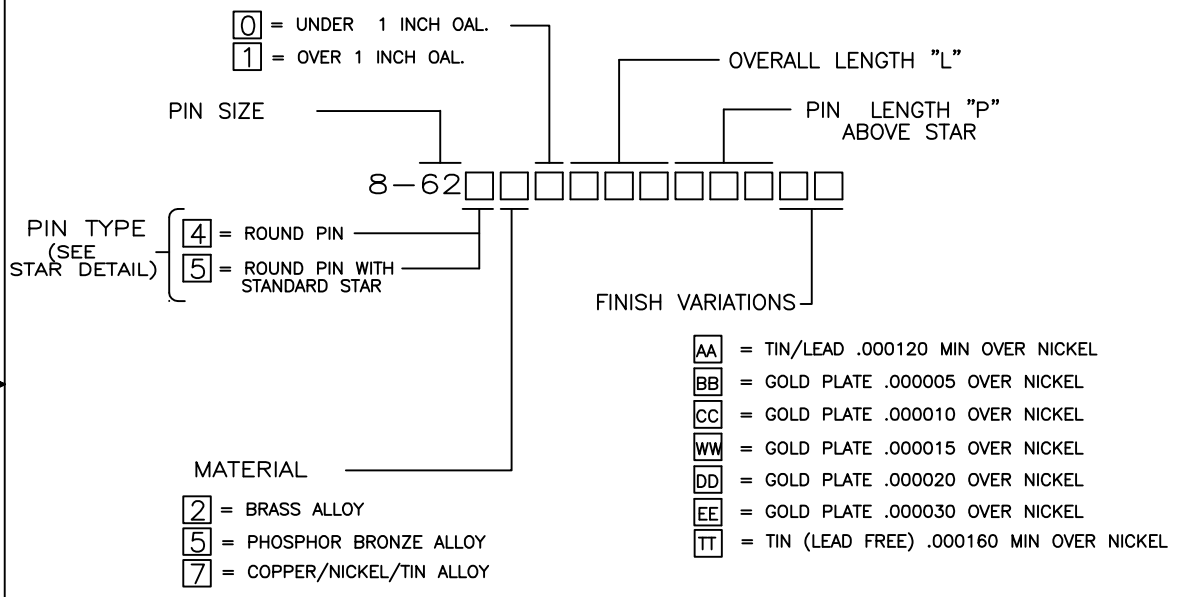


REV	REVISION RECORD	ECN/ECO	BY	APVD	DATE
A	INITIAL RELEASE	14183	MAC	JB	6-05-96
B	PER ECN 14471	14471	MAC	JB	6-07-96
C	ADDED TT PLATING	177-01	KR	KR	6-12-96

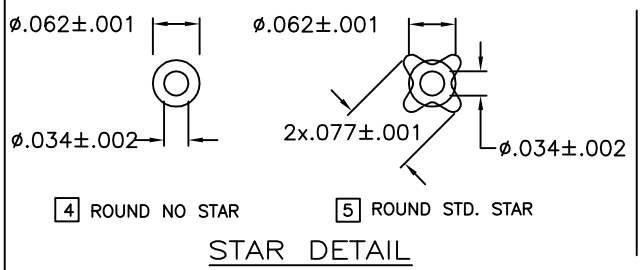
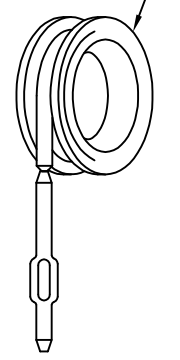
NOTE: UNLESS OTHERWISE SPECIFIED

1. INTERPRET DRAWING IN ACCORDANCE WITH ANSI Y14.5-1982.
2. REMOVED
3. PITCH CONSISTENCY TO BE WITHIN  $\pm 0.005$  OVER 3.000 INCHES.
- PART TO BE SUPPLIED ON A CONTINUOUS REEL.
5. ALL DIMENSIONS APPLY AFTER PLATING.

PART NUMBER BREAKDOWN



REELING ORIENTATION AP/2 REEL (24" O.D. x 20" I.D.)



PIN WITH NO STAR      PIN WITH STAR

**CUSTOMER DRAWING**

ALL DIMENSIONS ARE IN INCHES DECIMAL: XX = $\pm .01$ XXX = $\pm .005$ ANGLAR: $\pm 5^\circ$	AUTOSPlice INC. 10121 Barnes Canyon Road San Diego, California 92121 (619) 538-0077	
	THIRD ANGLE PROJECTION 	DRAWN BY <b>MAC M</b> DATE <b>6-05-96</b> APPROVED BY <b>J BIANCA</b> DATE <b>6-05-96</b>
	TITLE: <b>AUTOPIN/2 DETAIL PART DRAWING</b>	
SIZE: <b>C</b> FSCM NO. <b>0AE89</b> DRAWING NUMBER: <b>C8-62[4thru5]</b>	SCALE: NONE      CAD FILE NO. C08-624-SXX      AND REV.      SHEET 1 OF 1	