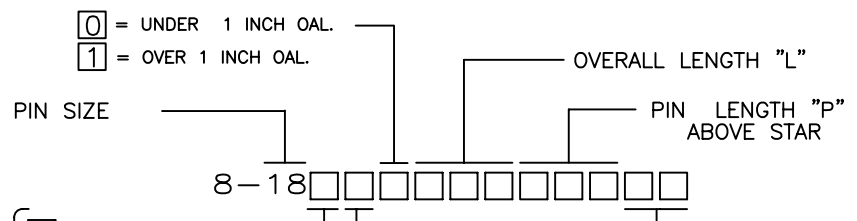


| REV | REVISION RECORD | ECN | BY | APVD | DATE |
|-----|-----------------|-------|-----|------|---------|
| A | INITIAL RELEASE | 14183 | MAC | JB | 6-05-96 |
| B | PER ECN 14471 | 14471 | MAC | JB | 6-05-96 |

NOTE: UNLESS OTHERWISE SPECIFIED

1. INTERPRET DRAWING IN ACCORDANCE WITH ANSI Y14.5-1982.
2. REMOVED
3. PITCH CONSISTENCY TO BE WITHIN ± 0.005 OVER 3.000 INCHES.
- PART TO BE SUPPLIED ON A CONTINUOUS REEL.
5. ALL DIMENSIONS APPLY AFTER PLATING.

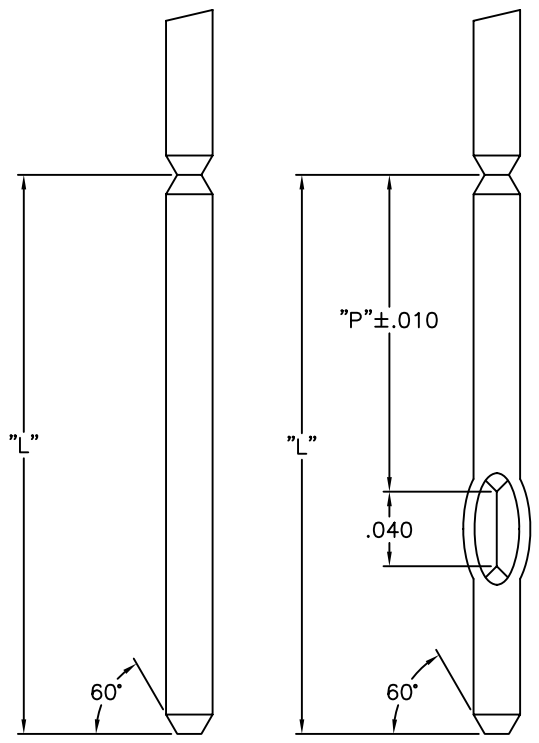
PART NUMBER BREAKDOWN



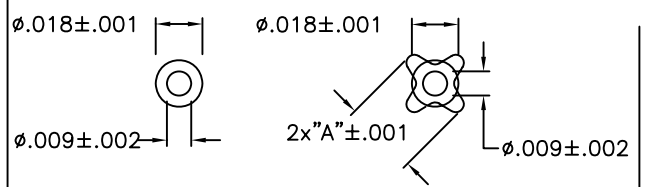
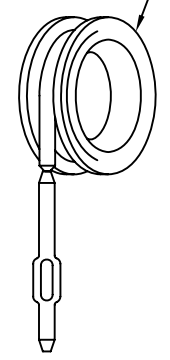
- PIN TYPE (SEE STAR DETAIL)
- 4 = ROUND PIN
 - 5 = ROUND PIN WITH STANDARD STAR
 - 7 = ROUND PIN WITH LARGE STAR

- FINISH VARIATIONS
- AA = TIN/LEAD .000120 MIN OVER NICKEL
 - BB = GOLD PLATE .000005 OVER NICKEL
 - CC = GOLD PLATE .000010 OVER NICKEL
 - WW = GOLD PLATE .000015 OVER NICKEL
 - DD = GOLD PLATE .000020 OVER NICKEL
 - EE = GOLD PLATE .000030 OVER NICKEL

- MATERIAL
- 2 = BRASS ALLOY
 - 5 = PHOSPHOR BRONZE ALLOY
 - 7 = COPPER/NICKEL/TIN ALLOY



REEILING ORIENTATION AP/2 REEL (24" O.D. x 20" I.D.)



- "A"
- 4 ROUND NO STAR
 - 5 ROUND STD. STAR .021
 - 7 ROUND LRG. STAR .024

STAR DETAIL

PIN WITH NO STAR

PIN WITH STAR

CUSTOMER DRAWING

This drawing and the information set forth herein are the property of Autossplice, Inc. and are to be held in trust and confidence. Publication, duplication, disclosure, or use for any purpose not expressly authorized in writing by Autossplice, Inc. is prohibited.

| | | |
|--|---|--|
| ALL DIMENSIONS ARE IN INCHES | AUTOSPLICE INC. 10121 Barnes Canyon Road San Diego, California 92121 (619) 535-0077 | |
| DECIMAL: XX ± 0.01 XXX ± 0.005 | THIRD ANGLE PROJECTION | DRAWN BY MAC M DATE 6-05-96 APPROVED BY J BIANCA DATE 6-05-96 |
| ANGULAR: $\pm 5^\circ$ | TITLE AUTOPIN/2 DETAIL PART DRAWING | |
| | SIZE FSCIM NO. DRAWING NUMBER C 0AE89 C8-18[4thru7] | REV. B |
| | SCALE: NONE CAD FILE NO. C08-184-70X AND REV. | SHEET 1 OF 1 |