

REV	REVISION RECORD	ECN/ECO	BY	APVD	DATE
A	INITIAL RELEASE	14183	MAC	JB	6-26-96
B	PER ECN 14471	14471	MAC	JB	10-19-96
C	ADDED NEW PLATINGS TO FINISH	500166	MAC	JB	01-26-98
D	ADDED TT PLATING	177-01	KR	KR	8-12-98

NOTE: UNLESS OTHERWISE SPECIFIED

1. INTERPRET DRAWING IN ACCORDANCE WITH ANSI Y14.5-1982.
2. REMOVED
3. PITCH CONSISTENCY TO BE WITHIN ± 0.005 OVER 3.000 INCHES.
- \triangle PART TO BE SUPPLIED ON A CONTINUOUS REEL.
5. ALL DIMENSIONS APPLY AFTER PLATING.

PART NUMBER BREAKDOWN

0 = UNDER 1 INCH OAL.

1 = OVER 1 INCH OAL.

PIN SIZE

8-45

OVERALL LENGTH "L"

PIN LENGTH "P"
ABOVE STAR

PIN TYPE
(SEE
STAR
DETAIL)

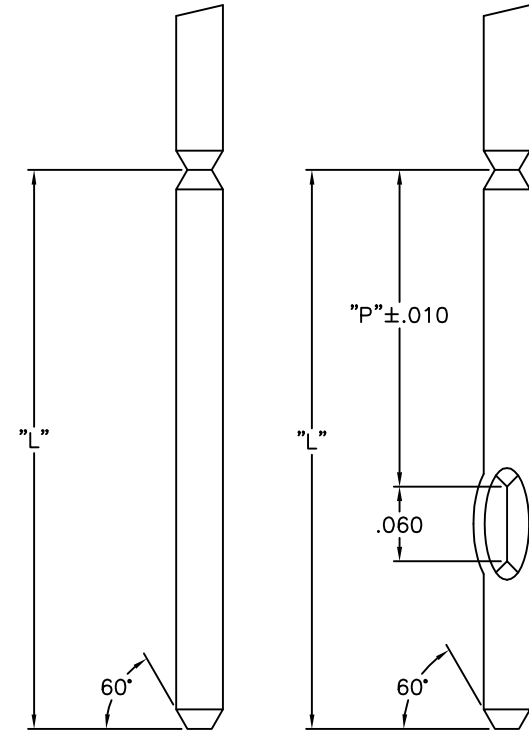
- 1** = SQUARE PIN
- 2** = SQUARE PIN WITH
STANDARD STAR

FINISH VARIATIONS

- AA** = TIN/LEAD .000120 MIN OVER NICKEL
- BB** = GOLD PLATE .000005 OVER NICKEL
- CC** = GOLD PLATE .000010 OVER NICKEL
- WW** = GOLD PLATE .000015 OVER NICKEL
- DD** = GOLD PLATE .000020 OVER NICKEL
- EE** = GOLD PLATE .000030 OVER NICKEL
- FF** = GOLD .000030 OVER Pd-Ni .000012 OVER NICKEL
- NN** = NICKEL PLATE .000050
- RR** = UNPLATED
- TT** = TIN (LEAD FREE) .00016 MIN OVER NICKEL

MATERIAL

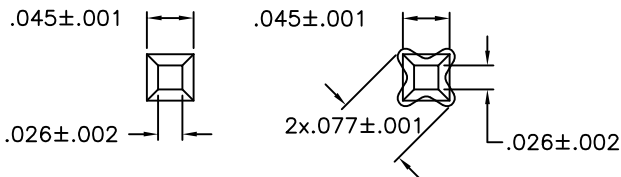
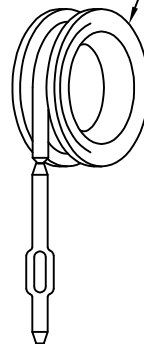
- 2** = BRASS ALLOY
- 5** = PHOSPHOR BRONZE ALLOY
- 7** = COPPER/NICKEL/TIN ALLOY



PIN WITH
NO STAR

PIN WITH
STAR

\triangle REELING ORIENTATION
AP/2 REEL
(24" O.D. x 20" I.D.)



1 SQUARE NO STAR

2 SQUARE STD. STAR

STAR DETAIL

CUSTOMER DRAWING

ALL DIMENSIONS ARE IN INCHES DECIMAL: XX = ± 0.1 XXX = ± 0.005 ANGULAR: $\pm 5^\circ$			AUTOSPlice INC. 10121 Barnes Canyon Road San Diego, California 92121 (619) 538-0077
	THIRD ANGLE PROJECTION 	DRAWN BY MAC M	DATE 6-05-96
	TITLE AUTOPIN/2 DETAIL PART DRAWING		APPROVED BY J BIANCA
SCALE: NONE	FSCM NO. C 0AE89	DRAWING NUMBER C8-45[1 thru 2]	REV. D
CAD FILE NO. C08-451-2XX AND REV.		SHEET 1 OF 1	