

4

3

2

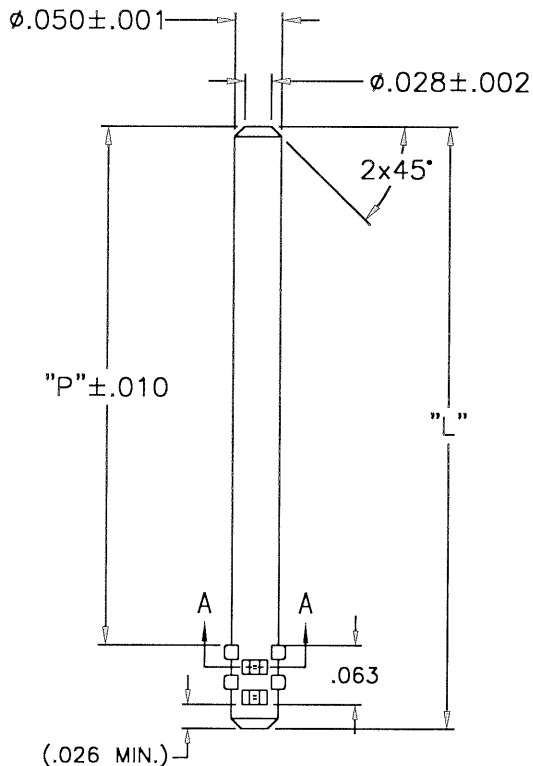
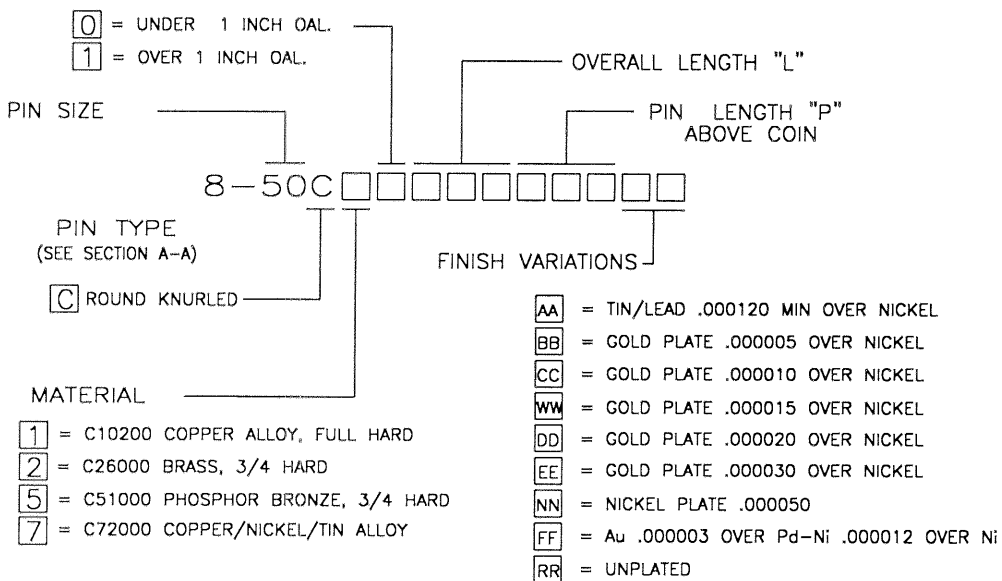
1

NOTE: UNLESS OTHERWISE SPECIFIED

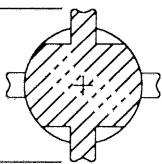
- 1. INTERPRET DRAWING IN ACCORDANCE WITH ANSI Y14.5-1982.
- 2. ALL DIMENSIONS APPLY AFTER PLATING.
- △ PART TO BE SUPPLIED ON A CONTINUOUS REEL.

REV	REVISION RECORD	ECN	BY	APVD	DATE
A	INITIAL RELEASE PER EWR 980590	16029	CVD	JB	1-12-99
B	KNURL CHG PER CDR 300475	502029	RJB	RJB	3-7-02

PART NUMBER BREAKDOWN

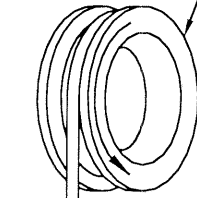


2x.065±.001



SECTION A-A

△ REELING ORIENTATION
 AP/2 REEL
 (24" O.D. x 20" I.D.)



REELING ORIENTATION

CUSTOMER DRAWING

This drawing and the information set forth hereon are the property of Autospluce, Inc. and are to be held in trust and confidence. Publication, duplication, disclosure, or use for any purpose not expressly authorized in writing by Autospluce, Inc. is prohibited.	TOLERANCES UNLESS OTHERWISE SPECIFIED DIMS IN INCHES		AUTOSPLUCE INC. 10121 Barnes Canyon Road San Diego, California 92121 (619) 535-0077	DESIGNED BY C. DANG ENGINEERED BY BIANCA	DATE 12-17-98 DATE 12-18-98
	DECIMAL: XX = ± .01 XXX = ± .005	TITLE	AUTOPIN/2 DETAIL PART DRAWING		
	ANGULAR ± 3'	SIZE C PART NO. 0AE89 SCALE NONE	DRAWING NUMBER CB-50CXXXXX.DWG	REVISION B	SHEET 1 OF 1

4

3

2

1