

NOTES: UNLESS OTHERWISE SPECIFIED

1. INTERPRET DRAWING IN ACCORDANCE WITH ASME Y14.5-2009.
2. PARTS TO BE PACKAGED IN TAPE & REEL PER EIA STD-481
3. PICK-UP TAB DEFLECTS UPON INSERTION OF THE SHIELD
4. FLAT STOCK .004 ± .001 THICK.

PART NUMBER BREAKDOWN

7-V2008 -

RFI CLIP

PACKAGING

CODE	QTY	COVER TAPE
1	5000	9-0007-012P
3	5000	9-0007-012H

VARIATION

CODE	"A" HOLE
1	Ø .008
5	No Hole

PLATING CODE

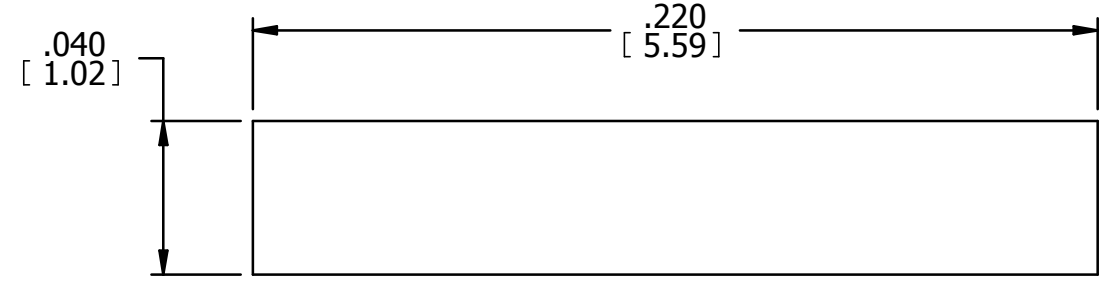
AA= PREPLATED .000120" [0.00305] MIN Sn/Pb OVER .000050" [0.00127] MIN Ni

TT= PREPLATED .000120" [0.00305] MIN MATTE Sn OVER .000050" [0.00127] MIN Ni

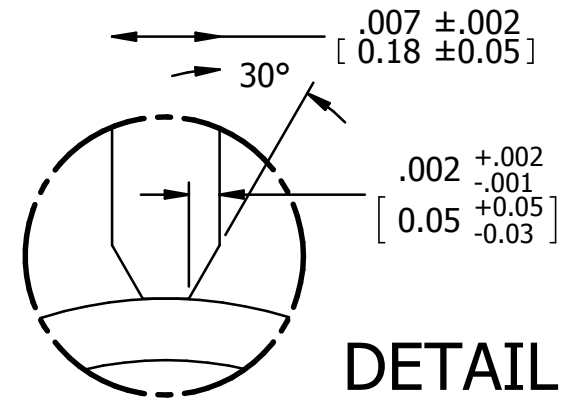
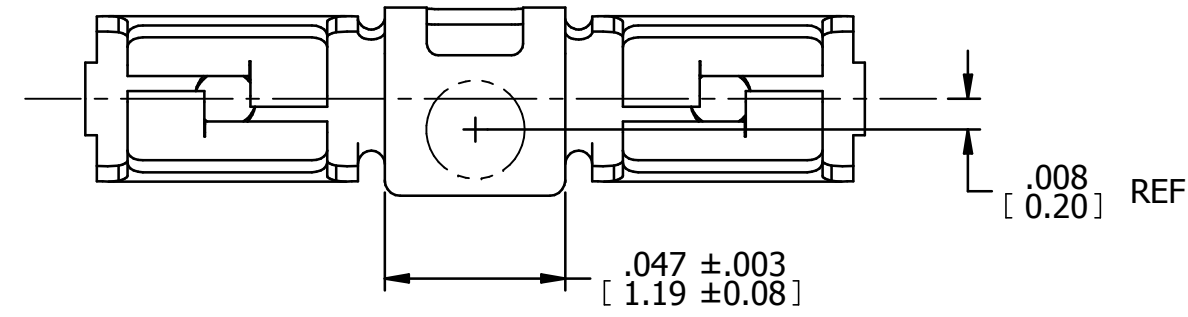
MAT'L DESIGNATION

CODE	MATERIAL
0	STAINLESS STEEL
1	BERYLLIUM COPPER

REV	REVISION RECORD	ECN	BY	APVD	DATE
B	PER EWR 100642	500811	TM	JB	08/29/00
C	PER EWR101165	501400	TM	JM	03/08/01
D	ADDED "TT" PER EWR 103508	503111	BT	JB	1/20/2004
E	ADDED DUAL DIM PER EWR103940	503412	BT	JB	6/22/2004
F	ADD SS MAT'L PER EWR105761	505249	HR	PVB	1/14/2008
G	REVISE PLATTING NOTE PER EWR106134	505531	HR	PVB	9/8/2008
H	ADDED .095 MIN SHIELD HEIGHT	505554	DJA	HR	9/24/2008
J	ADDED MATERIAL DIMS PER EWR 106617	505873	RJB	PVB	10/8/2009
K	REMOVED MAT'L CODE 0 PER EWR 107290	506271	RAB	PVB	7/7/2011
L	ADD HEAT SENS TAPE, PER EWR 107873	506627	MAR	PVB	4/23/2013
M	CORRECTED TT DISPLAY ERROR	553-01	BH	BH	6/27/2019



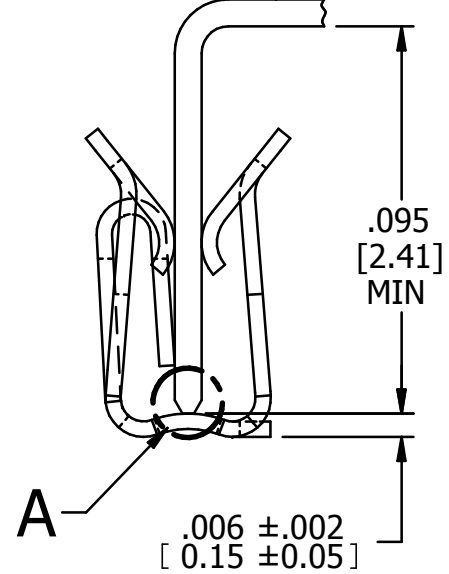
RECOMMENDED PAD SIZE



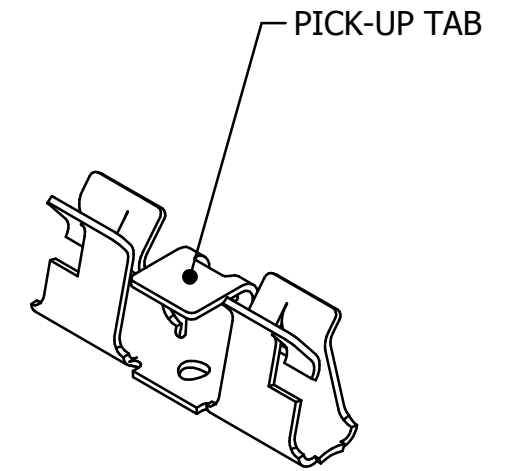
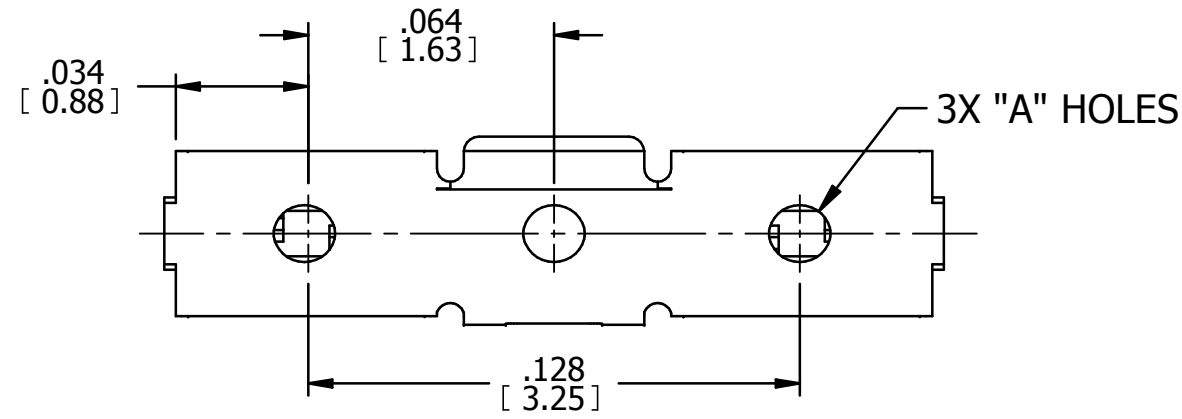
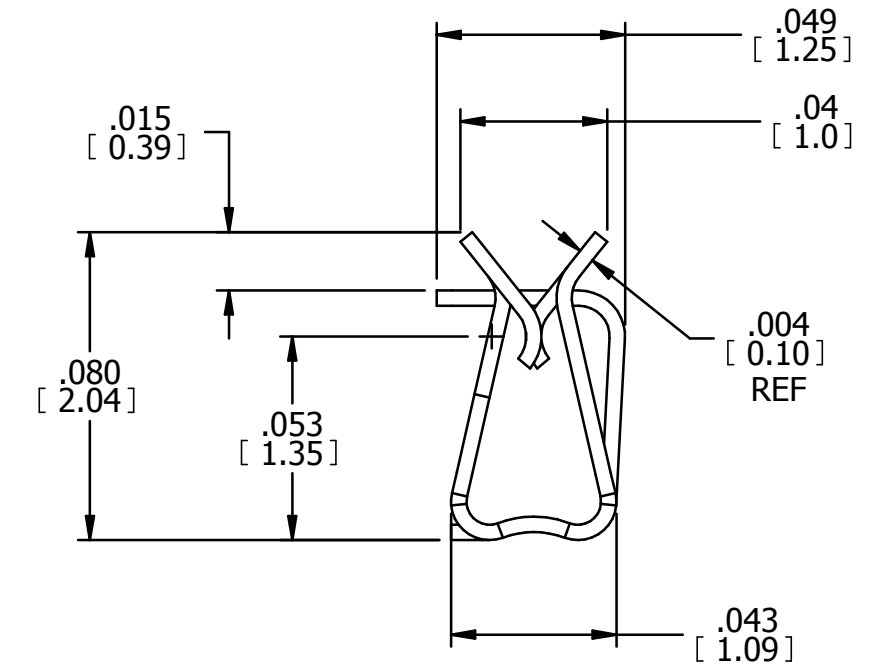
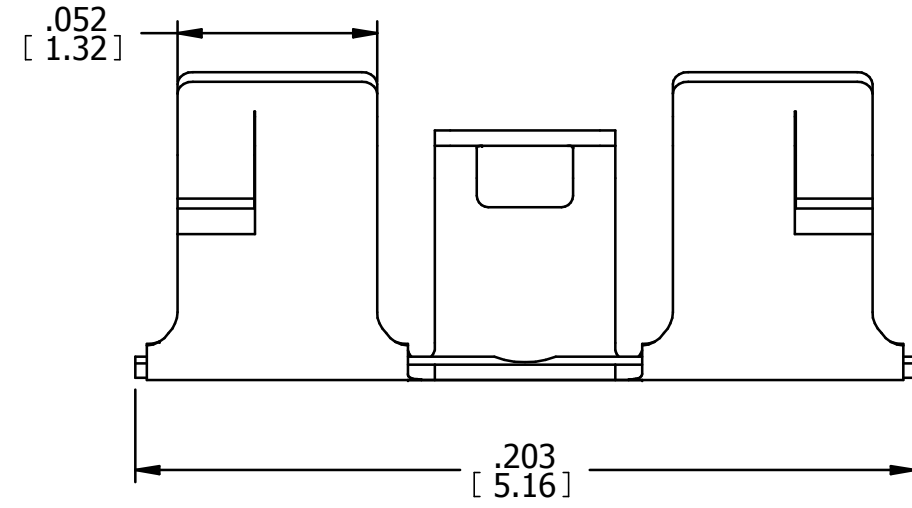
DETAIL A

EDGE FINISH RECOMMENDATION

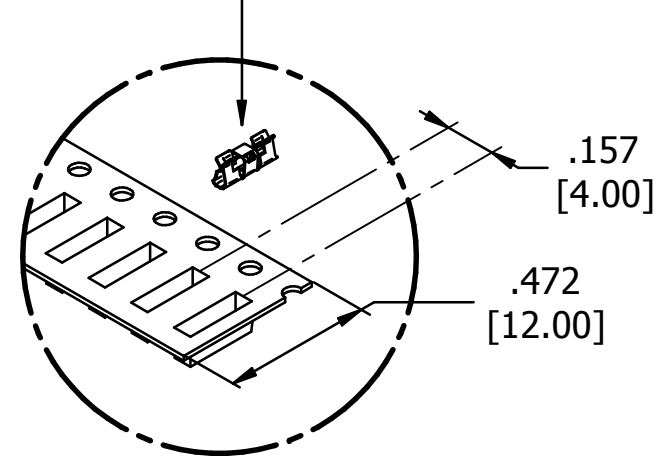
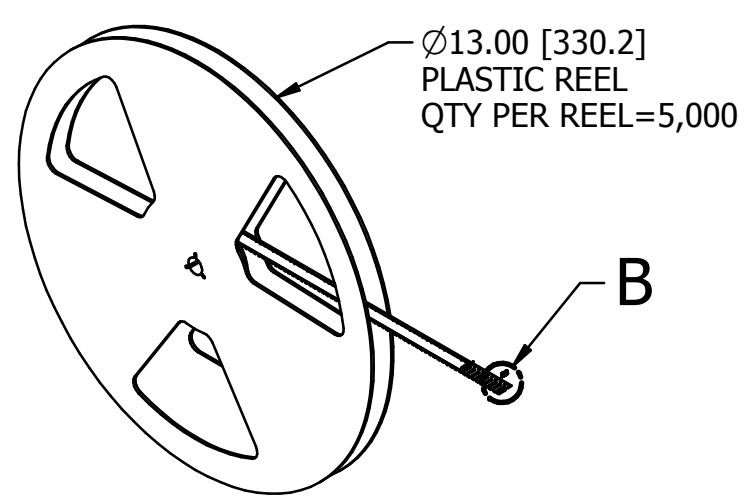
SHIELD COVER (CUSTOMER SUPPLIED)



APPLICATION VIEW



CONFIDENTIAL CUSTOMER DRAWING



DETAIL B

TAPE & REEL PACKAGING

The drawing and the information set forth hereon are the property of AutosplICE, Inc. and are to be held in trust and confidence. Publication, disclosure, or use for any purpose not expressly authorizing in writing by AutosplICE, Inc. is prohibited.

TOLERANCES UNLESS OTHERWISE SPECIFIED DIMENSIONS IN INCHES (mm)	autosplICE Innovative Interconnections	AutosplICE, Inc. 10121 Barnes Canyon Rd. San Diego, CA 92121-2725 858-535-0077
DECIMAL : ..XX = ± .01 [X.X] = ± [0.3] XXX = ± .005 [X.XX] = ± [0.13]	THIRD ANGLE PROJECTION 	DRAWN BY JOE
ANGULAR : ± 5°	DENOTES SPECIAL CHARACTERISTIC 	DATE 5/13/98
SIZE C	FSCM NO. OAE89	ENGINEERED BY JB
SCALE 2:1	DRAWING NUMBER C7-V2008-[] [] [] [] [] [] [] [] [] [] []	DATE 5/13/98
CAD NO. C7-V2008-[] [] [] [] [] [] [] [] [] [] []	MODEL NO. 7-V2008-011.pptm	REVISION M
SHEET 1 OF 1		