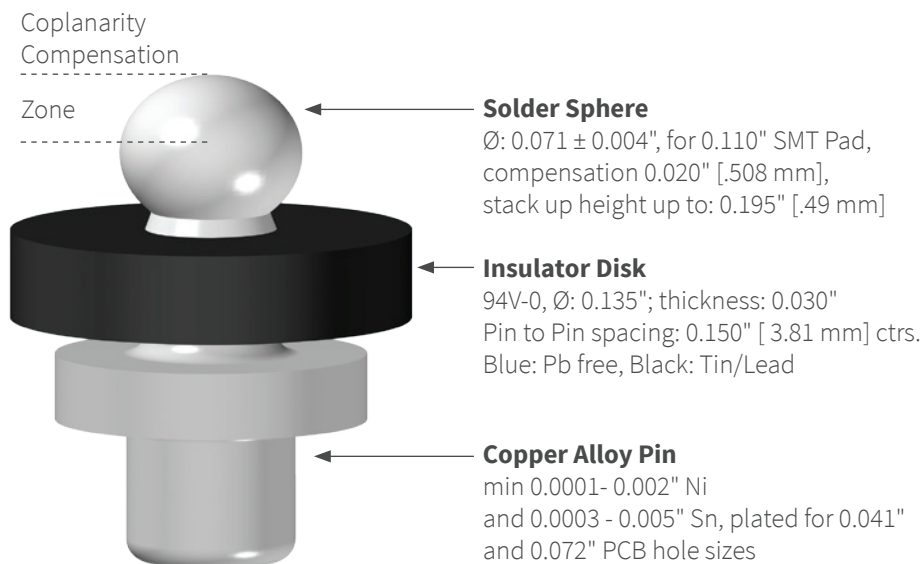


## MIDI SOLDERBALL PIN SPECIFICATIONS

PART NUMBER	QTY PER REEL	TAIL CONFIGURATION	PIN SIZE DIAMETER	STACK HEIGHT	TAIL LENGTH	SOLDERBALL DIAMETER	RoHS COMPLIANT
9-B23341ADTTA	1,800	Straight	.033" [0.84]	.100" [2.54]	.055" [1.40]	.071" [1.80]	Tin Lead
9-B23341ADTTT	1,800	Straight	.033" [0.84]	.100" [2.54]	.055" [1.40]	.071" [1.80]	Yes
9-B23341BGTTA	1,300	Straight	.033" [0.84]	.130" [3.30]	.065" [1.65]	.071" [1.80]	Tin Lead
9-B23341BGTTT	1,300	Straight	.033" [0.84]	.130" [3.30]	.065" [1.65]	.071" [1.80]	Yes
9-B23341CDTTT	1,300	Straight	.033" [0.84]	.150" [3.81]	.055" [1.40]	.071" [1.80]	Yes
9-B23341DETTA	1,100	Straight	.033" [0.84]	.170" [4.32]	.083" [2.11]	.071" [1.80]	Tin Lead
9-B23341DETTT	1,100	Straight	.033" [0.84]	.170" [4.32]	.083" [2.11]	.071" [1.80]	Yes

### MECHANICAL SPECIFICATIONS:

- PIN TERMINAL: High Conductivity Copper Alloy
- SOLDER SPHERE: RoHS Compliant SAC Alloy or Tin/Lead
- PACKAGING: STD 16 mm Tape & Reel per Spec EIA-481
- PICK & PLACE: Pin Trough Paste Via Standard SMT Equipment



### AUTHORIZED DISTRIBUTORS



Casey Donovan | 800. 325. 0534 | cdonovan@keiconn.com



www.hiscoinc.com | +1 877. 447. 2650 | info@hiscoinc.com

NOTES: UNLESS OTHERWISE SPECIFIED

1. INTERPRET DRAWING IN ACCORDANCE WITH ASME Y14.5M -1994.
2. PARTS TO BE PACKAGED IN TAPE & REEL PER EIA STD-481.
3. RECOMMENDED PICK HEIGHT: .025" [0.64] FROM TOP OF POCKET.
4. SOLDERABILITY PER IPC/EIA J-STD-002, TEST A, CATEGORY 3.
5. PREPROCESSED Cu PIN TO BE PLATED WITH 300μ" [7.62] MICRONS MIN THICK MATTE Sn (Pb FREE) OVER 100μ" [2.54] MICRONS MIN Ni, INSPECTED PER AUTOSPlice WORK INSTRUCTION 4.10-14 REV 'A'.

PART NO.	"A"	"B"	"C"	∅ "D"	"X"	"Y"	"Z" MIN	QTY/REEL
9-B23341AD[ ][ ]	.100 [2.54]	.120±.007 [3.05±0.18]	.055±.003 [1.40±0.08]	.033±.002 [0.84±0.05]	.041±.002 [1.04±0.05]	.105 [2.67]	.062 [1.57]	1,600±15%
9-B23341DE[ ][ ]	.170 [4.32]	.190±.007 [4.83±0.18]	.083±.003 [2.11±0.08]					1,100±15%
9-B23341CD[ ][ ]	.150 [3.81]	.170±.007 [4.32±0.18]	.055±.003 [1.40±0.08]					1,300±15%
9-B23341BG[ ][ ]	.130 [3.30]	.150±.007 [3.81±0.18]	.065±.003 [1.65±0.08]					
9-B26441DE[ ][ ]	.170 [4.32]	.190±.007 [4.83±0.18]	.083±.003 [2.11±0.08]					.064±.002 [1.63±0.05]

REV	REVISION RECORD	ECN	BY	APVD	DATE
X2	REVISED INSULATOR	-	KR	PVB	09/07/10
A	INITIAL RELEASE	505124	HR	PVB	09/24/07
B	CHANGE "HOLE SIZE" TO "PIN SIZE"	505208	HR	PVB	12/12/07
C	CHANGE PLATING NOTE PER EWR106140	505527	HR	PVB	09/04/08
D	CHANGES PER EWR 106321	505665	DJA	HR	01/13/09
E	CHANGES PER EWR 106380	505699	DJA	HR	02/18/09
F	CHG TAPE QTY FOR 9-B2[ ][ ]41DE[ ][ ]	505718	HR	PVB	03/13/09
G	ADDED NOTE 6 PER EWR 106480	505762	RJB	PVB	04/24/09
H	REVISED INSULATOR EWR 106634	506165	KR	KR	09/26/12

**PART NUMBER DESCRIPTION**

9-B2[ ][ ] 41[ ][ ] [ ][ ] [ ][ ] [ ][ ]

**PIN SIZE**  
 33 = ∅.033 [0.84]  
 56 = ∅.056 [1.42]  
 64 = ∅.064 [1.63]

**STACKING HEIGHT**  
 A = .100 [2.54]  
 B = .130 [3.30]  
 C = .150 [3.81]  
 D = .170 [4.32]

**TAIL LENGTH**  
 D = .055 [1.40]  
 E = .083 [2.11]  
 G = .065 [1.65]

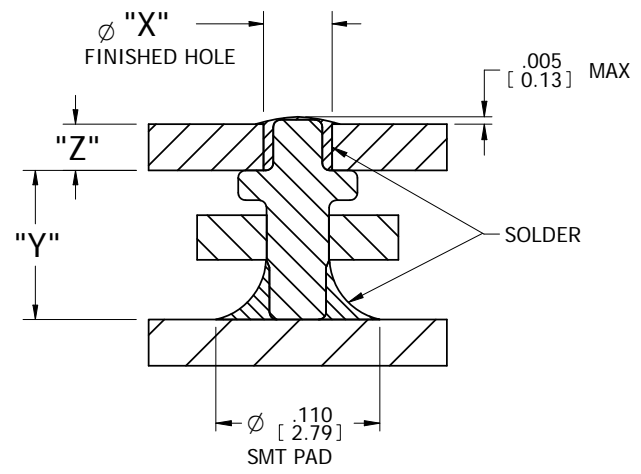
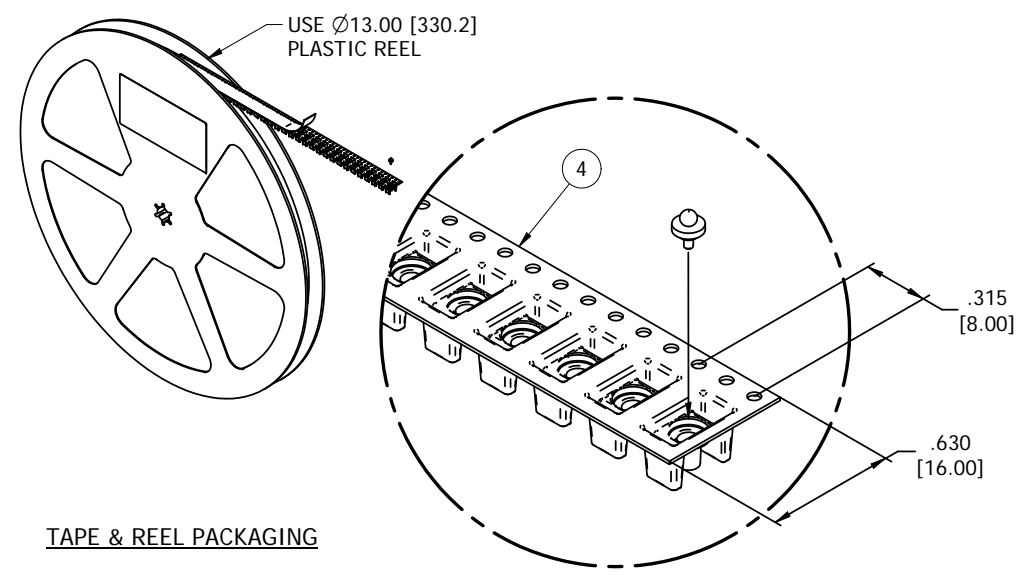
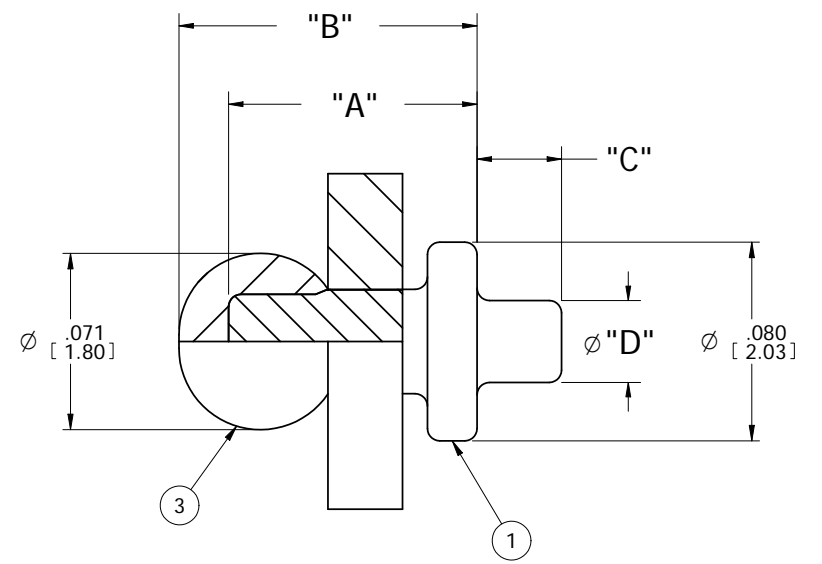
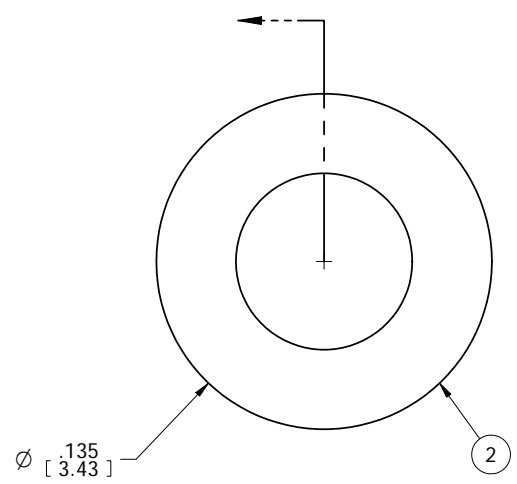
**VARIATION**

**SOLDERBALL COMP.**  
 A = Sn63/PB37  
 T = Sn96.5/Ag3.0/Cu0.5  
 (RoHS COMPLIANT)

**PIN FINISH**  
 T = 300μ" [7.62] MICRONS MIN  
 (Pb FREE) MATTE Sn OVER  
 100μ" [2.54] MICRONS MIN Ni

**PACKAGING**  
 T = TAPE & REEL

(CONTACT AUTOSPlice FOR ANY PART NUMBER NOT SHOWN)



**MATERIAL:**

- ① **PIN:** COPPER
- ② **INSULATOR:** FR-4 GLASS FILLED EPOXY
- ③ **SOLDERBALL:** SnPb (BLACK) & Sn (BLUE) Pb FREE
- ④ **PACKAGING TAPE:** ANTI-STATIC, CONDUCTIVE POLYSTYRENE. COLOR: BLACK

**CUSTOMER DRAWING**

TOLERANCES UNLESS OTHERWISE SPECIFIED DIMENSIONS IN INCHES (mm)				Autosplice, Inc. 10121 Barnes Canyon Rd. San Diego, CA 92121-2725 858-535-0077	
DECIMAL: .XX = ±.01 [X.X] = ±[0.3] .XXX = ±.005 [X.XX] = ±[0.13]	THIRD ANGLE PROJECTION	DRAWN BY: HR	DATE: 9/24/07	ENGINEERED BY: H REYNOLDS	DATE: 9/24/07
ANGULAR: ± 5°	TITLE: MIDI, SOLDERBALL PIN	SIZE: C	ISSN NO: OAE89	DRAWING NUMBER: C9-B2[ ][ ]41[ ][ ]T[ ][ ]	REVISION: H
◇ DENOTES SPECIAL CHARACTERISTIC	SCALE: 20:1	SHEET 1 OF 1			

The drawing and the information set forth hereon are the property of Autosplice, Inc. and are to be held in trust and confidence. Publication, disclosure, or use for any purpose not expressly authorizing in writing by Autosplice, Inc. is prohibited.