

NOTE: UNLESS OTHERWISE SPECIFIED

1. INTERPRET DRAWING IN ACCORDANCE WITH ANSI Y14.5-1982.
2. REMOVED
3. PITCH CONSISTENCY TO BE WITHIN ± 0.005 WHEN THE OAL OF 5 STRIPS, (3.00") LONG ARE MEASURED.
- ⚠ PART TO BE SUPPLIED ON A CONTINUOUS REEL.
5. ALL DIMENSIONS APPLY AFTER PLATING.

REV	REVISION RECORD	ECN	BY	APVD	DATE
A	INITIAL RELEASE	14183	MAC	JB	6-5-96
B	PER ECN 14471	14471	MAC	JB	6-5-96
C	PER EWR 990521	16795	RJB	JB	6-5-96

PART NUMBER BREAKDOWN

- 0 = UNDER 1 INCH OAL.
- 1 = OVER 1 INCH OAL.

PIN SIZE

OVERALL LENGTH "L"

PIN LENGTH "P" ABOVE STAR

8-25

FINISH VARIATIONS

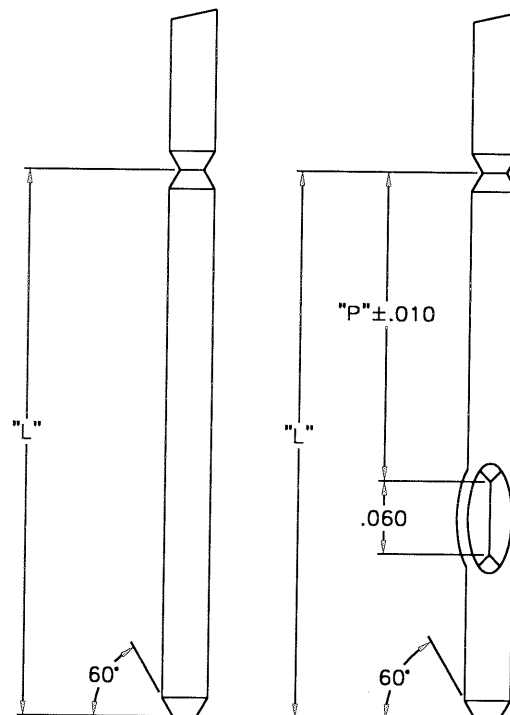
PIN TYPE
(SEE STAR DETAIL)

- 1 = SQUARE PIN
- 2 = SQUARE PIN WITH STANDARD STAR
- 3 = SQUARE PIN WITH LARGER STAR
- 4 = ROUND PIN
- 5 = ROUND PIN WITH STANDARD STAR

MATERIAL

- 2 = BRASS ALLOY
- 5 = PHOSPHOR BRONZE ALLOY
- 7 = COPPER/NICKEL/TIN ALLOY

- AA = TIN/LEAD .000120 MIN OVER NICKEL
- BB = GOLD PLATE .000005 OVER NICKEL
- CC = GOLD PLATE .000010 OVER NICKEL
- WW = GOLD PLATE .000015 OVER NICKEL
- DD = GOLD PLATE .000020 OVER NICKEL
- EE = GOLD PLATE .000030 OVER NICKEL
- FF = GOLD .000030 OVER Pd-Ni .000012 OVER NICKEL
- NN = NICKEL PLATE .000030
- RR = UNPLATED

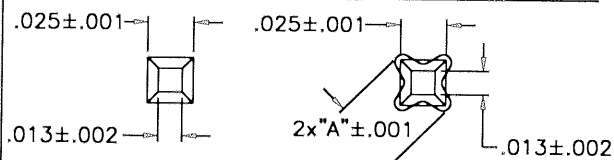
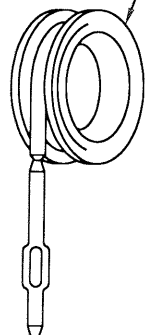


PIN WITH NO STAR

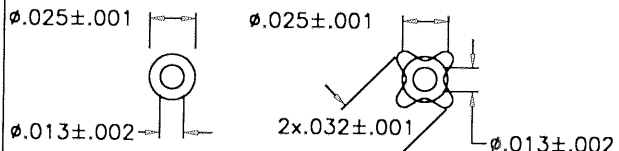
PIN WITH STAR

CUSTOMER DRAWING

⚠ REELING ORIENTATION
AP/2 REEL
(24" O.D. x 20" I.D.)



- 1 SQUARE NO STAR
- 2 SQUARE STD. STAR .038
- 3 SQUARE LRG. STAR .042



- 4 ROUND NO STAR
- 5 ROUND STD. STAR

STAR DETAIL

This drawing and the information set forth herein are the property of Autosplice, Inc. and are to be held in trust and confidence. Publication, duplication, disclosure, or use for any purpose not expressly authorized in writing by Autosplice, Inc. is prohibited.

ALL DIMENSIONS ARE IN INCHES	autosplice AUTOSPLICE INC. 10121 Barnes Canyon Road San Diego, California 92121 (619) 335-0277
THIRD ANGLE PROJECTION	DESIGNED BY MAC M DATE 6-05-96
DECIMAL: XX = ±.01 XXX = ±.005	APPROVED BY J BIANCA DATE 6-05-96
ANGULAR: ±5°	TITLE AUTOPIN/2 DETAIL PART DRAWING
SCALE: NONE	DRAWN BY C 0AE89 CHECKED BY C8-25 [1 thru 5] [0000] REV C
	CHG FILE NO. C08-251-SER AND REV. SHEET 1 OF 1